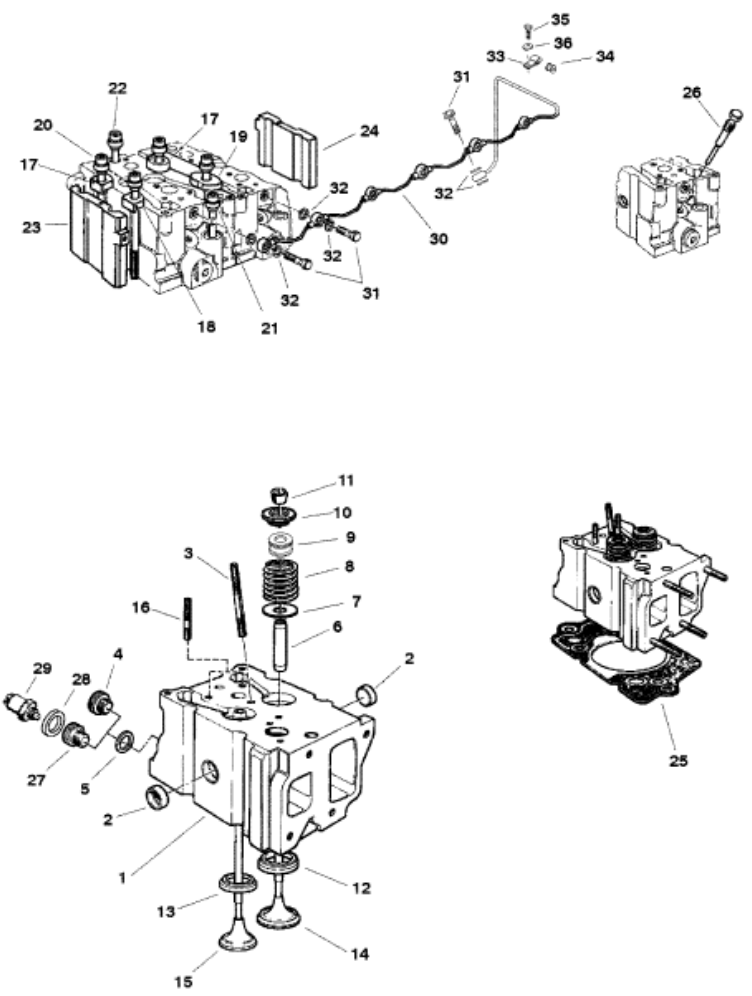


Parts List



| Ref | Class | Part      | Description                   | Qty   | Comment                           | Footnote |
|-----|-------|-----------|-------------------------------|-------|-----------------------------------|----------|
| 1   |       | 854067    | HEAD ASSEMBLY-CYLINDER        | 4/6   | (2.8L-0L098218 and below)(4.2L-C  |          |
| 1   |       | 879715    | HEAD ASSEMBLY-CYLINDER        | 4/6   | (2.8L-0L098219 and up)(4.2L-0L0   |          |
| 2   | 19    | 811389    | PLUG-EXPANSION                | 8/12  |                                   |          |
| 3   | 16    | 854069    | STUD (M8 X 60)                | 4/6   |                                   |          |
| 4   | 10    | 801763377 | PLUG                          | 2/4   |                                   |          |
| 5   | 25    | 809963342 | O-RING                        | 4/6   |                                   | 2,3,4,5  |
| 6   |       | 854070    | GUIDE-VALVE                   | 8/12  |                                   |          |
| 7   |       | 801331752 | PLATE-SPRING                  | 8/12  |                                   |          |
| 8   | 24    | 811388    | SPRING-VALVE                  | 8/12  |                                   |          |
| 9   | 26    | 854068    | SEAL-OIL                      | 8/12  |                                   |          |
| 10  |       | 801331754 | CAP-SPRING                    | 8/12  |                                   |          |
| 11  |       | 801331755 | KEEPERS-VALVE                 | 16/24 |                                   |          |
| 12  |       | 854071    | SEAT-VALVE (INTAKE)           | 4/6   |                                   |          |
| 13  |       | 854072    | SEAT-VALVE (EXHAUST)          | 4/6   |                                   |          |
| 14  |       | 854073    | VALVE-INTAKE                  | 4/6   |                                   |          |
| 15  |       | 854074    | VALVE-EXHAUST                 | 4/6   |                                   |          |
| 16  | 16    | 854075    | STUD (M8 X 35)                | 8/12  |                                   |          |
| 17  |       | 801331671 | BRIDGE-MANIFOLD SIDE          | 5/7   |                                   |          |
| 18  |       | 801331673 | BRIDGE-END                    | 2     |                                   |          |
| 19  |       | 801331674 | BRIDGE-INTERMEDIATE           | 3/5   |                                   |          |
| 20  | 10    | 806685    | BOLT-CENTER (M14 X 149.5)     | 10/14 |                                   |          |
| 21  | 10    | 806686    | BOLT-INJECTOR SIDE (M12 X 94) | 4/6   |                                   |          |
| 22  | 10    | 806687    | BOLT-MANIFOLD SIDE (M12 X 12  | 4/6   |                                   |          |
| 23  | 23    | 854077    | SPACER-FRONT                  | 1     | (2.8L 0K144109 - 0L098058)(4.2L   |          |
| 23  | 23    | 881746    | SPACER-FRONT                  | 1     | (2.8L 0L098059 and up)(4.2L 0L0   | 1        |
| 24  | 23    | 854076    | SPACER-REAR                   | 1     | (2.8L 0K144109 - 0L098058)(4.2L   |          |
| 24  | 23    | 881746    | SPACER-REAR                   | 1     | (2.8L 0L098059 and up)(4.2L 0L0   | 1        |
| 25  | 27    | 854078    | GASKET-CYLINDER HEAD (1.42    | 4/6   | (2.8L 0K144109 - 0L098058)(4.2L   | 2,3,6,8  |
| 25  | 27    | 823297    | GASKET-CYLINDER HEAD (1.52    | OPT   | (2.8L 0K144109 - 0L098058)(4.2L   |          |
| 25  | 27    | 854079    | GASKET-CYLINDER HEAD (1.62    | OPT   | (2.8L 0K144109 - 0L098058)(4.2L   |          |
| 25  | 27    | 879675    | GASKET-CYLINDER HEAD (1.42r   | 1     | (2.8L)(0L098059 and up)           |          |
| 25  | 27    | 879676    | GASKET-CYLINDER HEAD(1.52mi   | OPT   | (2.8L)(0L098059 and up)           |          |
| 25  | 27    | 879677    | GASKET-CYLINDER HEAD (1.62r   | OPT   | (2.8L)(0L098059 and up)           |          |
| 25  | 27    | 877376    | GASKET-CYLINDER HEAD(1.42mi   | 1     | (4.2L)(Front Gasket)(0L0980232 ar |          |
| 25  | 27    | 879678    | GASKET-CYLINDER HEAD (1.52r   | OPT   | (4.2L)(Front Gasket)(0L0980232 ar |          |
| 25  | 27    | 879679    | GASKET-CYLINDER HEAD (1.62r   | OPT   | (4.2L)(Front Gasket)(0L0980232 ar |          |
| 25  | 27    | 877377    | GASKET-CYLINDER HEAD (1.42r   | 1     | (4.2L)(Rear Gasket)(0L0980232 ar  |          |
| 25  | 27    | 879680    | GASKET-CYLINDER HEAD (1.52r   | OPT   | (4.2L)(Rear Gasket)(0L0980232 ar  |          |
| 25  | 27    | 879681    | GASKET-CYLINDER HEAD (1.62r   | OPT   | (4.2L)(Rear Gasket)(0L0980232 ar  |          |
| 26  | 19    | 854080    | PLUG                          | 4/6   |                                   |          |
| 26  | 22    | 802726    | BLOW PLUG KIT                 | OPT   | (2.4L)                            |          |